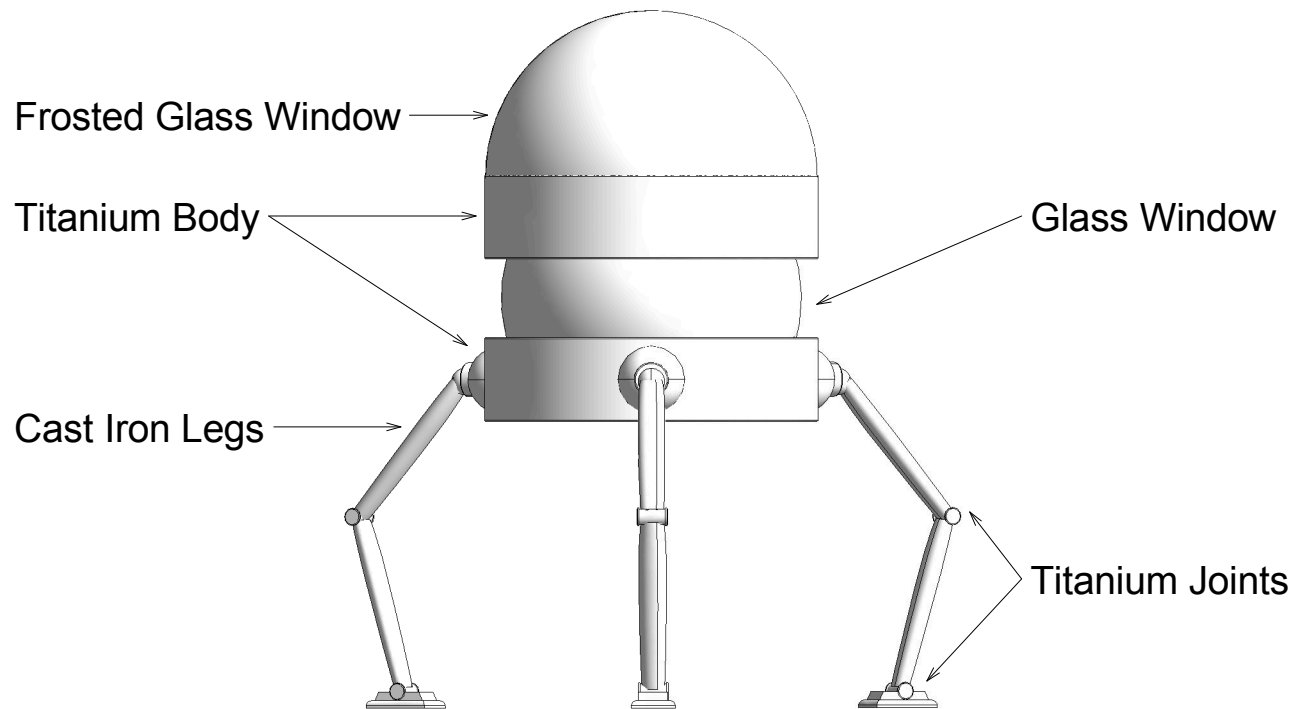



hannahgartney.weebly.com

IAPD  
iRevit Robot

No.	Description	Date

Elevation- Dimensioned		
Project number	Project Number	<b>1</b>
Date	8.10.15	
Drawn by	Author	
Checked by	Checker	
Scale		1/8" = 1'-0"



① Exterior Annotated Elevation  
 1/8" = 1'-0"

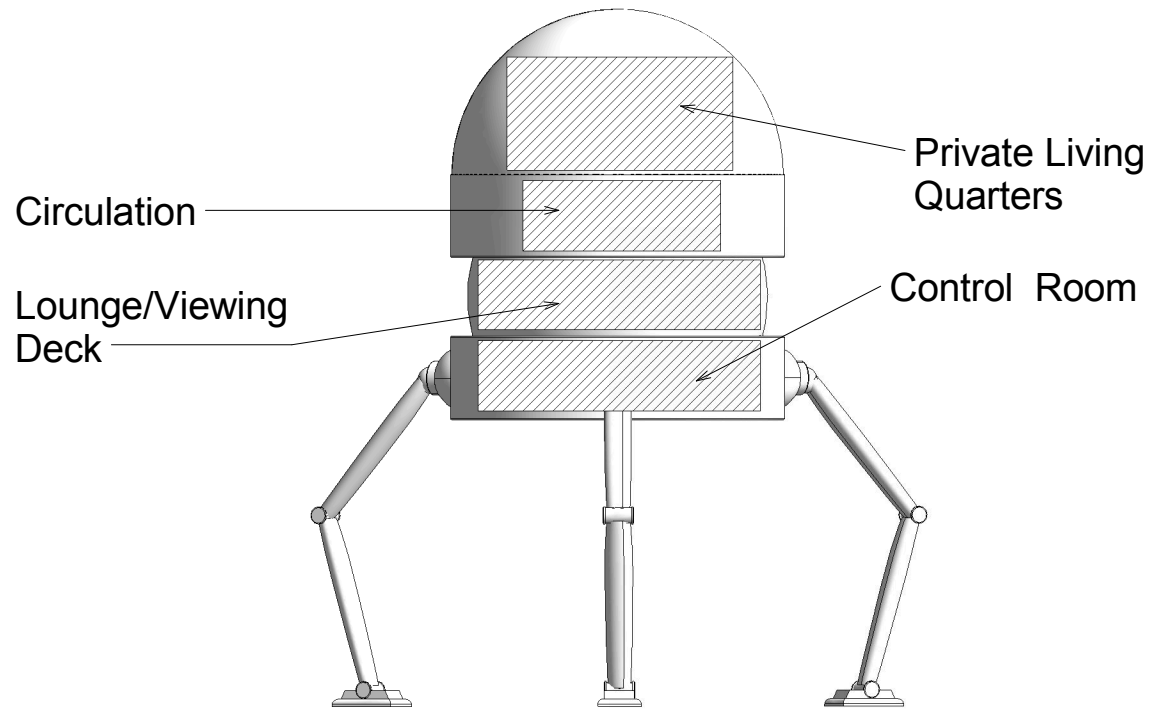


hannahgartney.weebly.com

IAPD  
 iRevit Robot

No.	Description	Date

Annotated Elevations		
Project number	Project Number	<b>2</b>
Date	8.10.15	
Drawn by	Author	
Checked by	Checker	
Scale		1/8" = 1'-0"



① Interior Annotated Elevation  
1/8" = 1'-0"



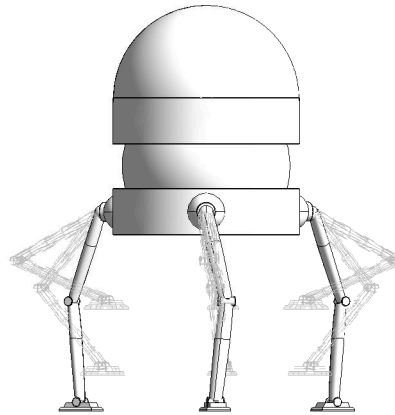
hannahgartney.weebly.com

IAPD  
iRevit Robot

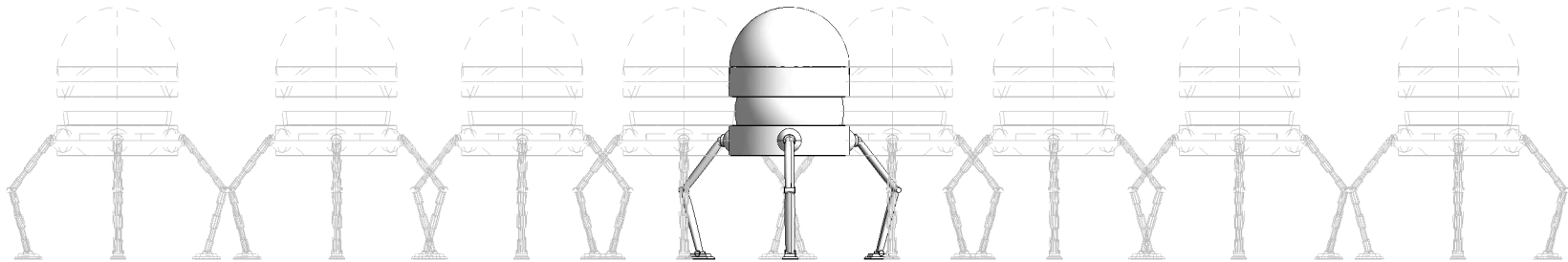
No.	Description	Date

**Annotated Elevations**

Project number	Project Number	<b>3</b>
Date	8.10.15	
Drawn by	Author	
Checked by	Checker	
Scale 1/8" = 1'-0"		



① South  
1/8" = 1'-0"

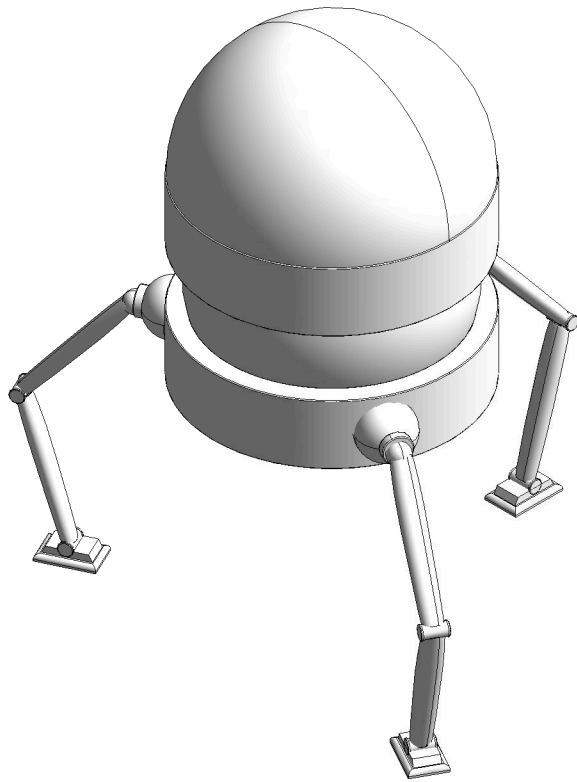


  
 hannahgartney.weebly.com

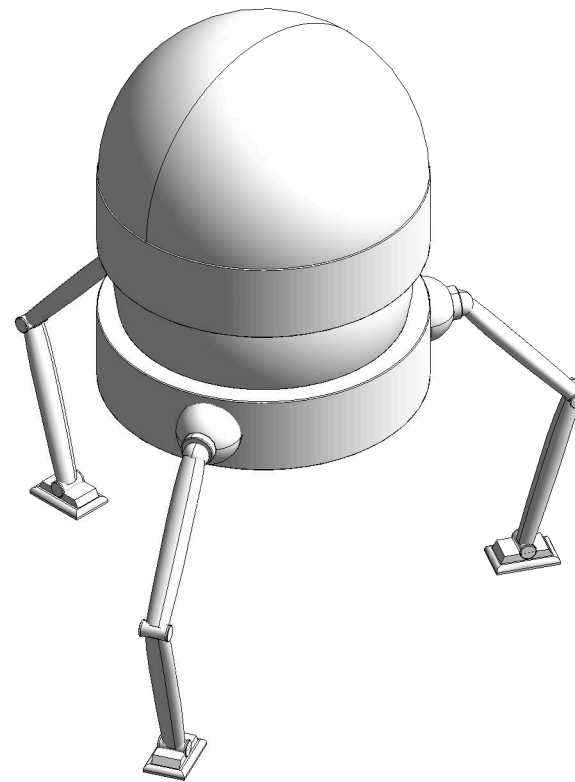
IAPD  
iRevit Robot

No.	Description	Date

Robot Movement		
Project number	Project Number	<b>4</b>
Date	8.10.15	
Drawn by	Hannah Gwartney	
Checked by	Checker	
		Scale 1/8" = 1'-0"



② Axon 3



① Axon 4

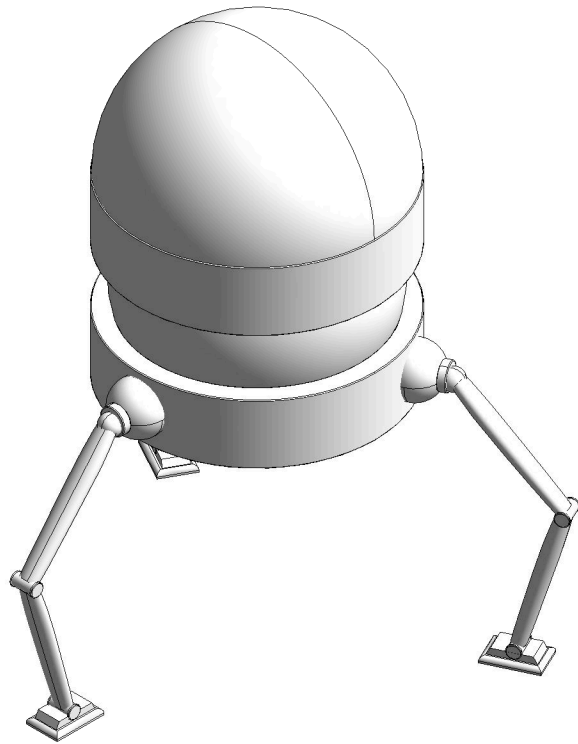


hannahgartney.weebly.com

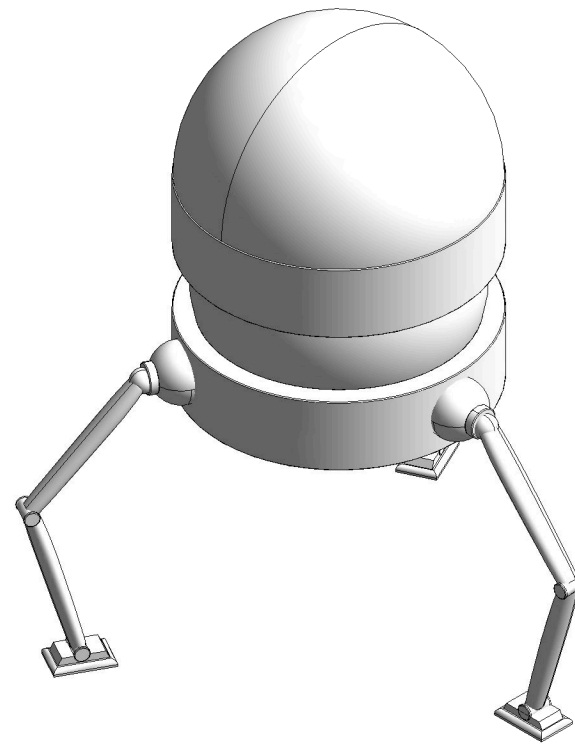
IAPD  
iRevit Robot

No.	Description	Date

Axonometric Views		
Project number	Project Number	<b>5</b>
Date	8.10.15	
Drawn by	Author	
Checked by	Checker	
Scale		



① Axon 1



② Axon 2



[hannahgartney.weebly.com](http://hannahgartney.weebly.com)

IAPD  
iRevit Robot

No.	Description	Date

**Axonometric Views**

Project number	Project Number	<b>6</b>
Date	8.10.15	
Drawn by	Author	
Checked by	Checker	
		Scale