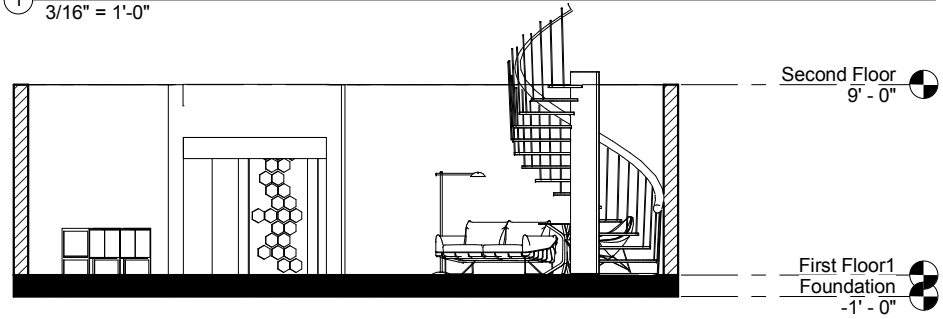
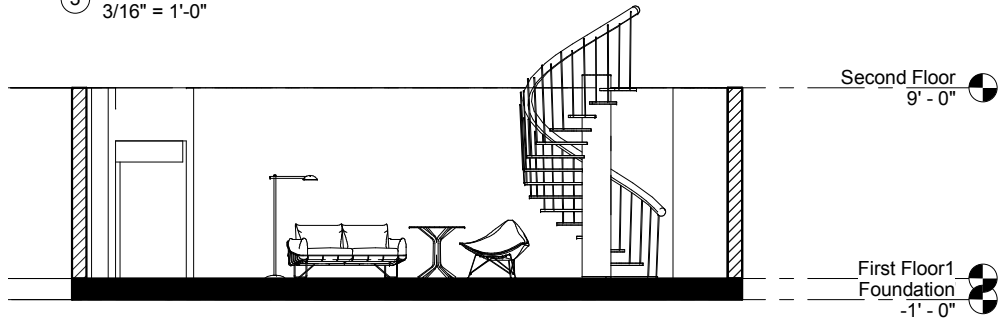


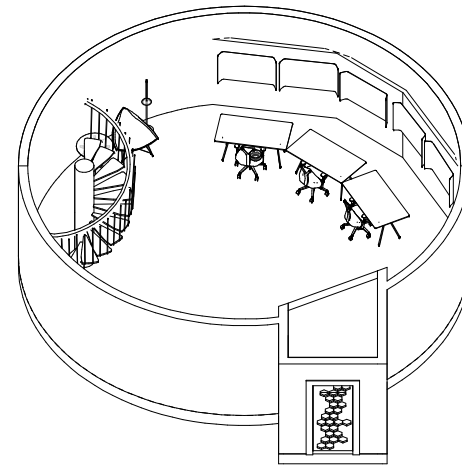
① Control Center Section
3/16" = 1'-0"



③ Entryway Section
3/16" = 1'-0"



④ Staircase & Lounge Section
3/16" = 1'-0"



② Control Room Axon



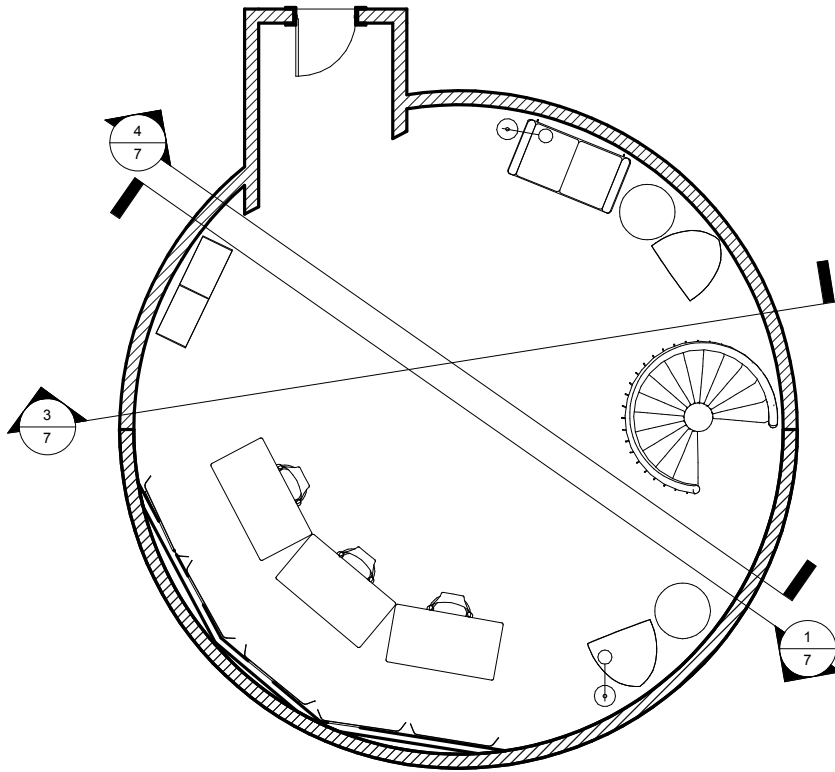
hannahgartney.weebly.com

IAPD
iRevit Robot

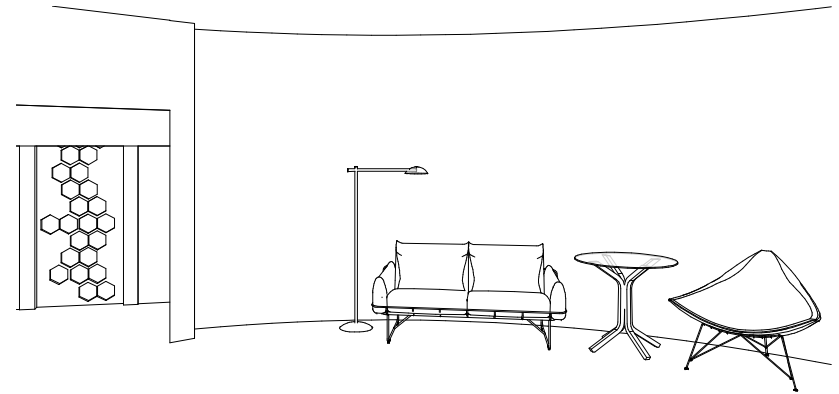
No.	Description	Date

Control Room

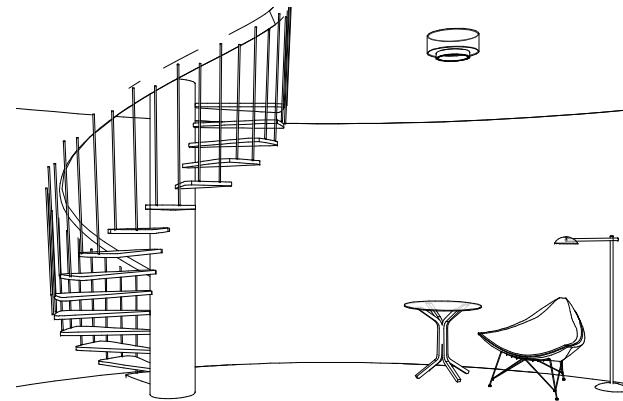
Project number	Project Number	7
Date	8.10.15	
Drawn by	Author	
Checked by	Checker	
		Scale 3/16" = 1'-0"



① Control Room Plan
3/16" = 1'-0"



② Entryway and Lounge View



③ Staircase View



hannahgartney.weebly.com

IAPD
iRevit Robot

No.	Description	Date

Control Room

Project number	Project Number	8
Date	8.10.15	
Drawn by	Hannah Gwartney	
Checked by	Checker	
		Scale 3/16" = 1'-0"